



## DOMICOMPACT C24 D

LISTA PEZZI DI RICAMBIO

SPARE PART LIST

ERSATZSTEILE

LIJST ONDERDELEN

LISTE PIECES DETACHES

LISTA PIEZAS DE REPUESTO



**CODICE**

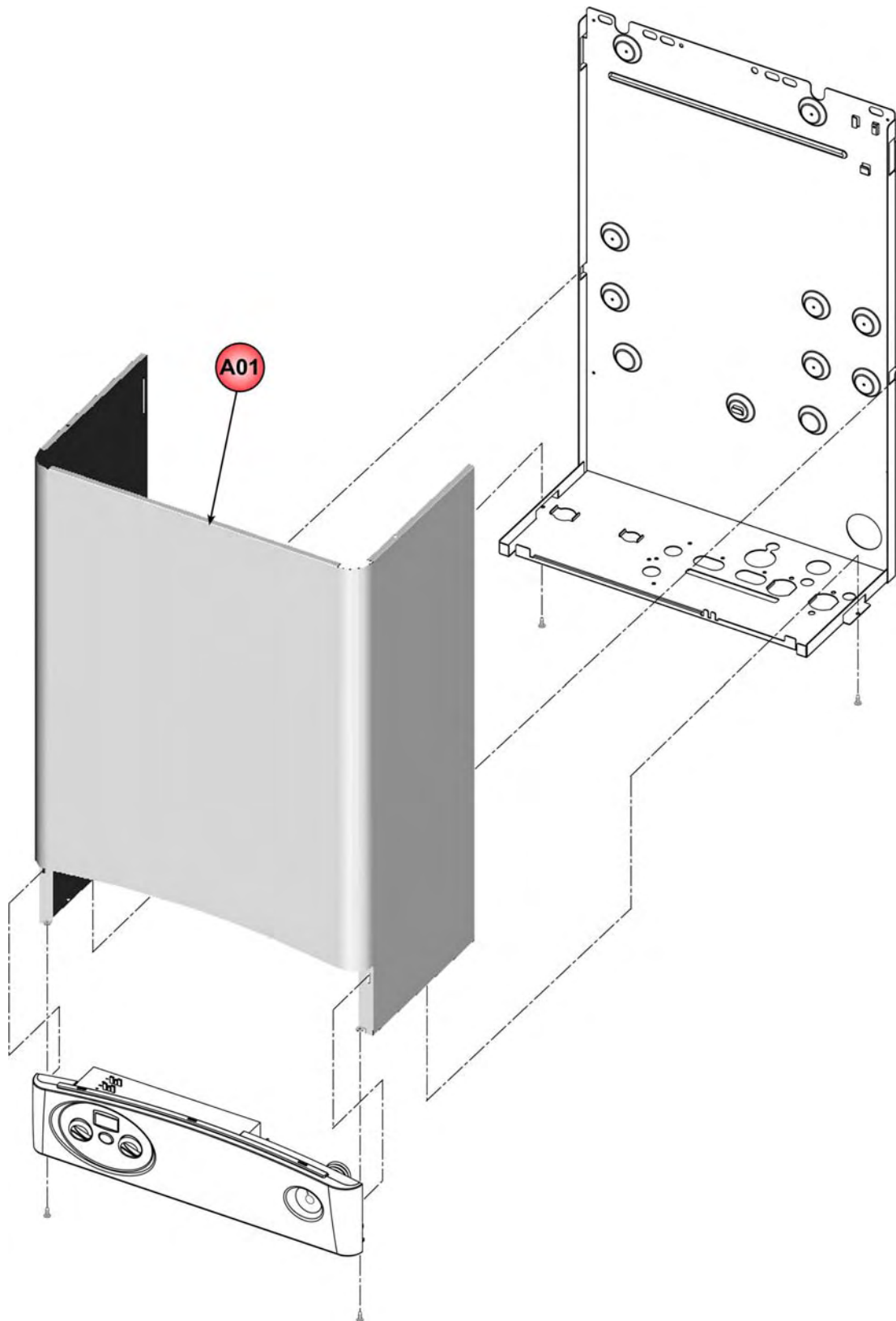
**30K0125002**

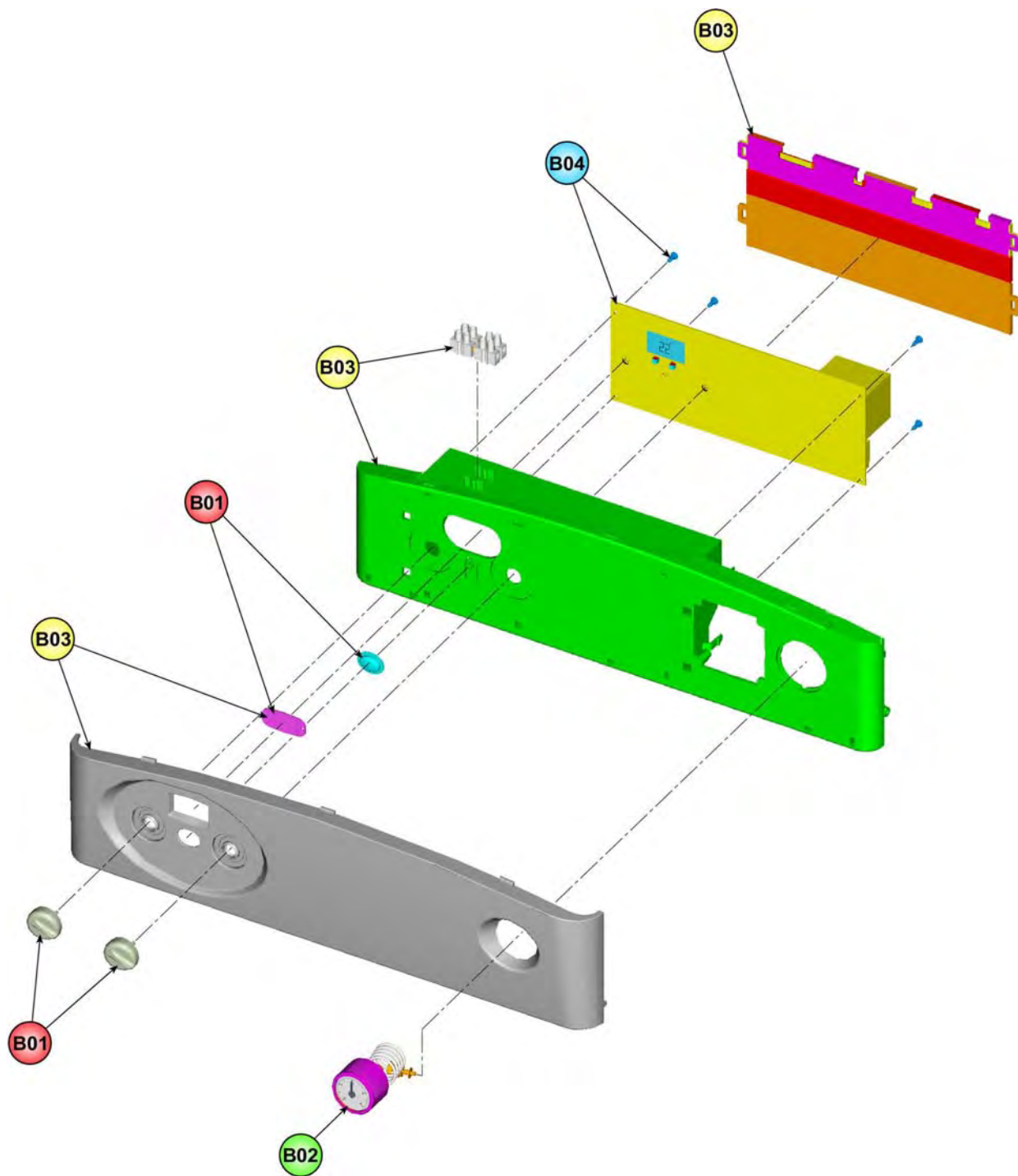
**EDIZIONE**

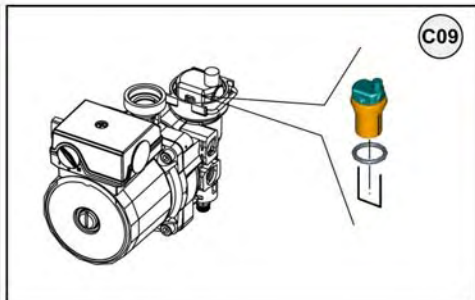
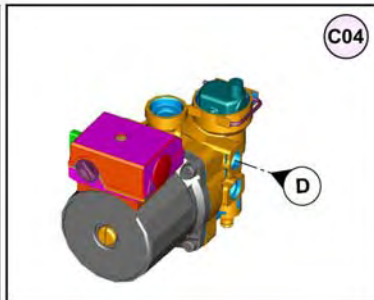
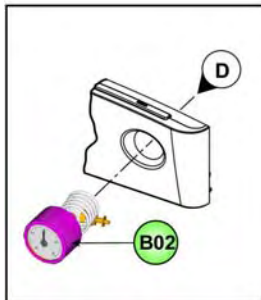
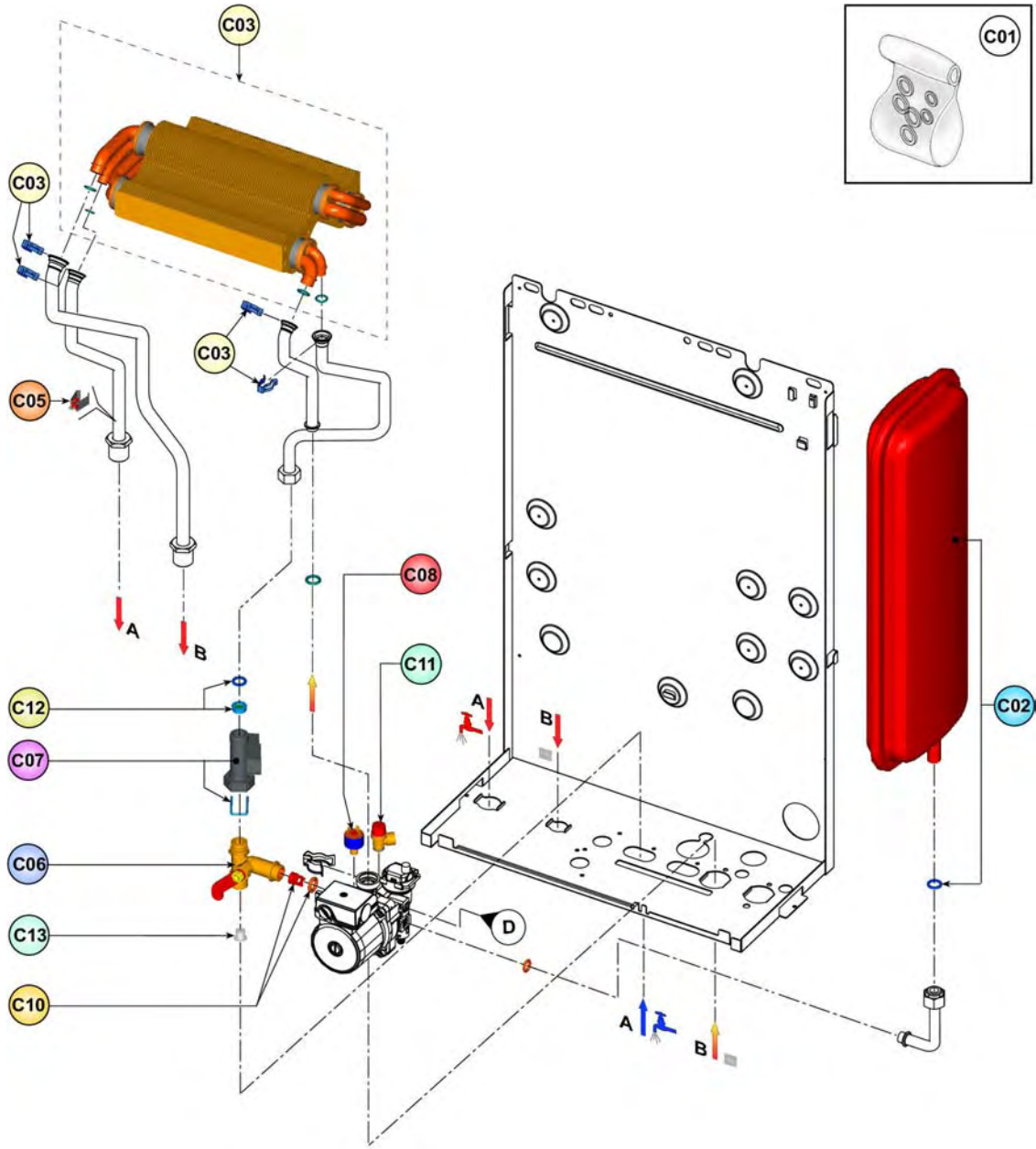
**01/07/2005**

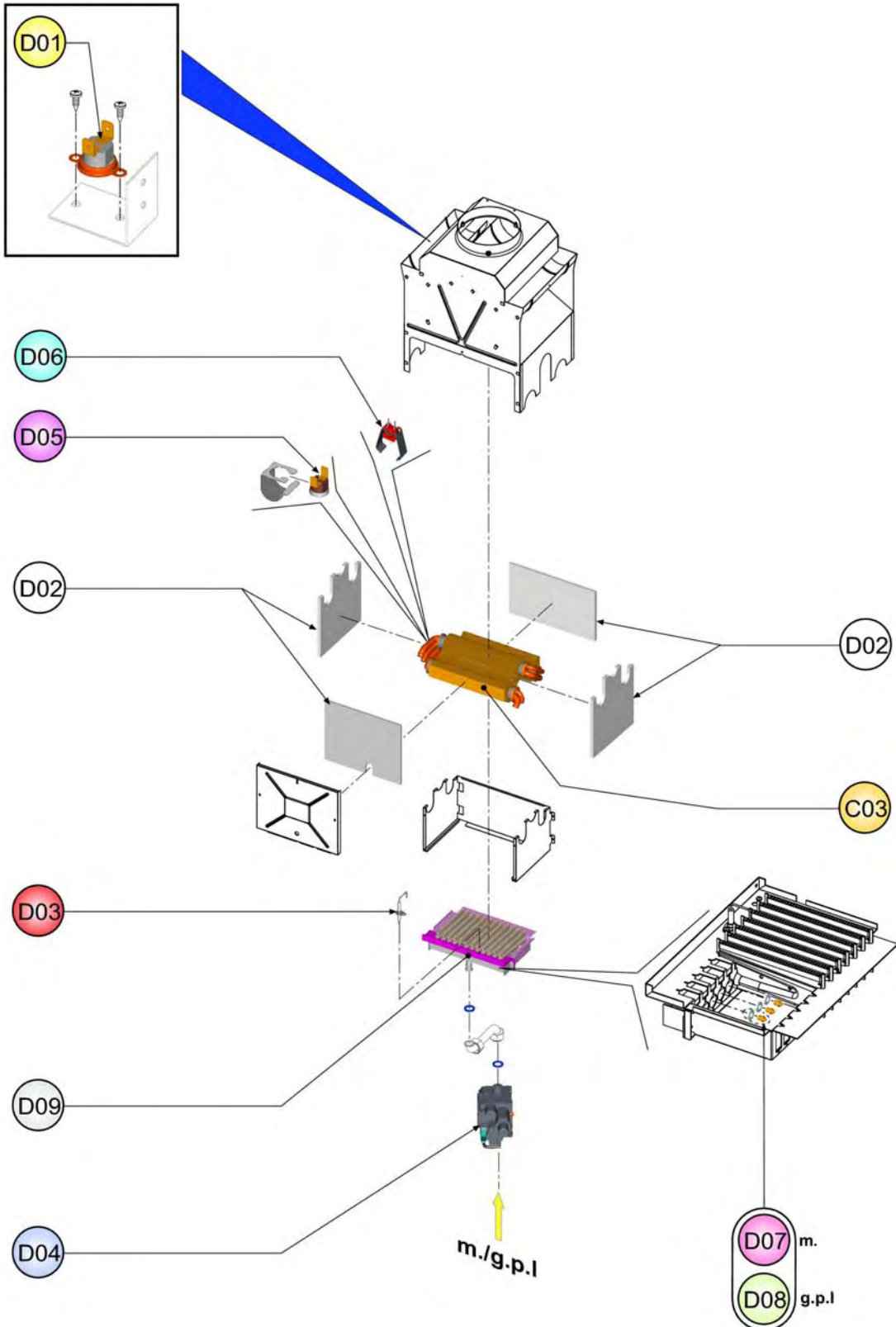
**MERCATO**

**EX**









## LISTA PEZZI

| <b>POS.</b> | <b>CODICE</b> | <b>DESC.</b>                    | <b>QT.</b> |
|-------------|---------------|---------------------------------|------------|
| A01         | 39812090      | KIT MANTELLO (31113370)         | 1          |
| B01         | 39812350      | KIT MANOP.POT.Fm.A9 "FOL" (EX)  | 1          |
| B02         | 39818210      | KIT IDROMETRO (36402070)        | 1          |
| B03         | 39812360      | KIT CRUSCOTTO "DPY" (38516660)  | 1          |
| B04         | 39812370      | KIT CENTRALINA (36507811)       | 1          |
| C01         | 39818560      | KIT GUARN.CALD.Fm.A9-C9         | 1          |
| C02         | 39812140      | KIT VASO ESP.8Lt. (36800410)    | 1          |
| C03         | 39817500      | KIT PACCO LAM. (37403910)       | 1          |
| C04         | 39818450      | KIT POMPA AO/FX3FPL (39404220)  | 1          |
| C05         | 39810230      | KIT SONDA TEMP. SAN. (36200640) | 1          |
| C06         | 39818280      | KIT RUBIN. CARICAM. (36902150)  | 1          |
| C07         | 39818550      | KIT FLUSSOST. ELTEK Fm.A9       | 1          |
| C08         | 39818260      | KIT PRESSOST.H2O (39404710)     | 1          |
| C09         | 39818220      | KIT 2 GALEGG.POMPA'05 Fm.A9     | 1          |
| C10         | 39818230      | KIT 5 VALV. N/R POMPA'05 Fm.A9  | 1          |
| C11         | 39818270      | KIT VALV.SIC. (39404720)        | 1          |
| C12         | 39813010      | KIT 5 REG.PORT.10Lt. (36902080) | 1          |
| C13         | 39813230      | KIT 5 FILTRI FLUSS. (39402940)  | 1          |
| D01         | 39807500      | KIT TST.FUMI COMPL. (38319080)  | 1          |
| D02         | 39811570      | KIT ISOL.CAM.COMB.Sr.A2C4-A2F4  | 1          |
| D03         | 39812170      | KIT ELETTRODO ACC. (36702581)   | 1          |
| D04         | 39812190      | KIT VALV.VGU 54A1109 (36800400) | 1          |
| D05         | 39805650      | KIT TST.C.ARG.100°C (36400900)  | 1          |
| D06         | 39810220      | KIT SONDA TEMP.RISC. (36200540) | 1          |
| D07         | 39805760      | KIT 12 UG.ES7 F.1,30 (EL)       | 1          |
| D08         | 39804780      | KIT 12 UG.ES7 F.0,77 (EL)       | 1          |
| D09         | 39806950      | KIT CASSETTO 12R. (37608130)    | 1          |